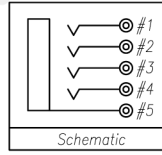
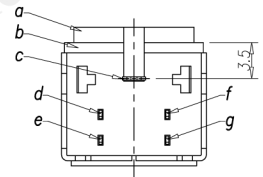
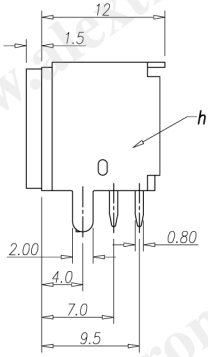
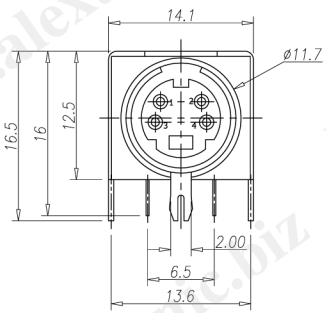
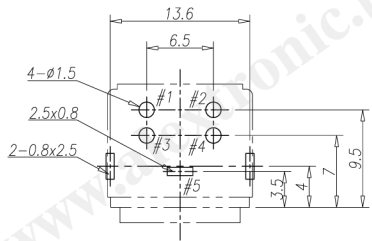


CATEGORY	DESCRIPTION	P/N #
CONNECTOR	MINIDIN 4PIN, R/A, T/H, With Shielding	MDO30R-11070-0040

REV.	ECN NO	DESCRIPTION	REVISED	DATE
A01		NEW RELEASE	Luguan	2009.11.06



- MINIDIN SPECIFICATION:
1. Voltage and Current Rating: DC 12V & 1.0A
  2. Contact resistance: 30mΩ MAX.
  3. Insulation resistance: 100MΩ MIN. @ DC250V
  4. Withstand voltage: 250VAC for 1min
  5. Insertion force: 4.5Kgf MAX.
  6. Withdraw force: 0.3kgf MIN.
  7. Life test: 1,500 cycles



Recommend PCB Layout  
(Jack Top View)  
Tolerance: ±0.05mm  
Recommend PCB Thickness: 1.6mm

h	Shielding Plate	1	SPCC, T=0.5mm	Tin Plating	
g	Terminal#2	1	Brass, T=0.3mm	CuSn Plating	
f	Terminal#4	1	Brass, T=0.3mm	CuSn Plating	
e	Terminal#1	1	Brass, T=0.3mm	CuSn Plating	
d	Terminal#3	1	Brass, T=0.3mm	CuSn Plating	
c	Terminal#5	1	Brass, T=0.3mm	CuSn Plating	
b	Cover	1	PBT UL94V-0	Black	
a	Housing	1	PBT UL94V-0	Black	
NO.	PART NAME	Q'TY	MATERIAL	PLATING & COLOR	Remark

Product Drawing			
ALEXTRONIC			
UNLESS OTHERWISE SPECIFIED TOLERANCES	SCALE: 1/1	UNIT: mm	DWG.NO: WI-061-732
DECIMALS: X : ±0.5 X.X : ±0.3 X.XX : ±0.2	ANGLES: X : ±2° X.X : ±1°	SIZE: A3	PAGE: 1 OF 1
APPROVED BY	WYX	CHECKED BY	PJ
PREPARED BY	Luguan	CUSTOMER COPY	